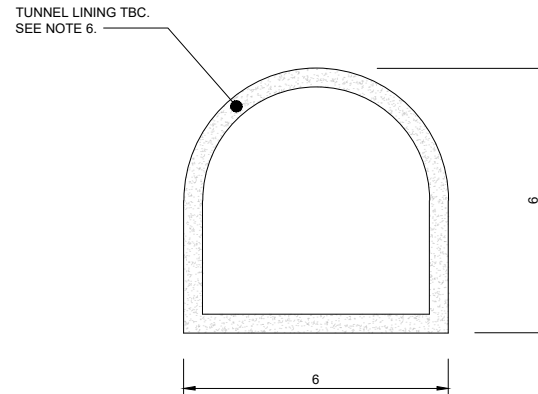


VALVE CAVERN ACCESS TUNNEL PLAN

Scale 1:2000

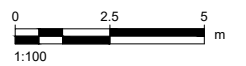
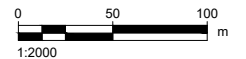


A | VALVE CAVERN ACCESS TUNNEL SECTION

1:100

- NOTES**
1. DRAWING IS FOR INDICATIVE PURPOSES ONLY.
 2. GROUND ELEVATION DATA TAKEN FROM 5m OS CONTOURS.
 3. ALL DIMENSIONS ARE IN METRES UNLESS OTHERWISE STATED.
 4. ALL TUNNELS, ALL OTHER COMPOUNDS, AND ACCESS ROADS OMITTED FROM THIS DRAWING FOR CLARITY.
 5. DRAWING SHOWS VALVE CAVERN TUNNEL ALIGNMENT TO UNDERGROUND INFRASTRUCTURE OPTION B. ALIGNMENT VARIES FOR OPTION A, AS SHOWN ON FIGURE 2.4 SHEET 1.
 6. TUNNEL LINING DEPENDENT ON ROCK CLASSIFICATION. TO BE CONFIRMED POST INTRUSIVE GROUND INVESTIGATION (GI).

Reproduced from Ordnance Survey digital map data © Crown copyright 2024. All rights reserved. Licence number 0100031673.



ISSUE PURPOSE
 FINAL

PROJECT NUMBER
 60719875

FIGURE TITLE
 Valve Cavern Access Tunnel
 Plan and Section

FIGURE NUMBER
 Figure 2.20

This drawing has been prepared for the use of AECOM's client. It may not be used, modified, reproduced or relied upon by third parties, except as agreed by AECOM or as required by law. AECOM accepts no responsibility, and denies any liability whatsoever, to any party that uses or relies on this drawing without AECOM's express written consent. Do not scale this document. All measurements must be obtained from the stated dimensions.